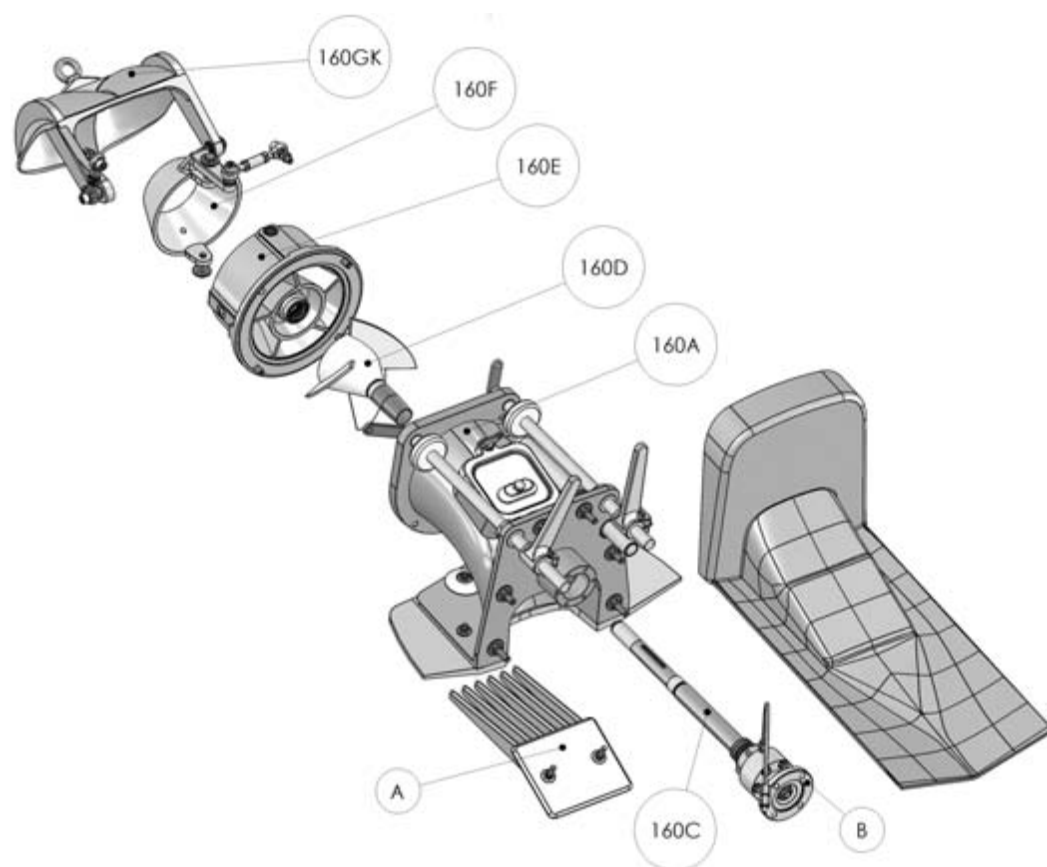


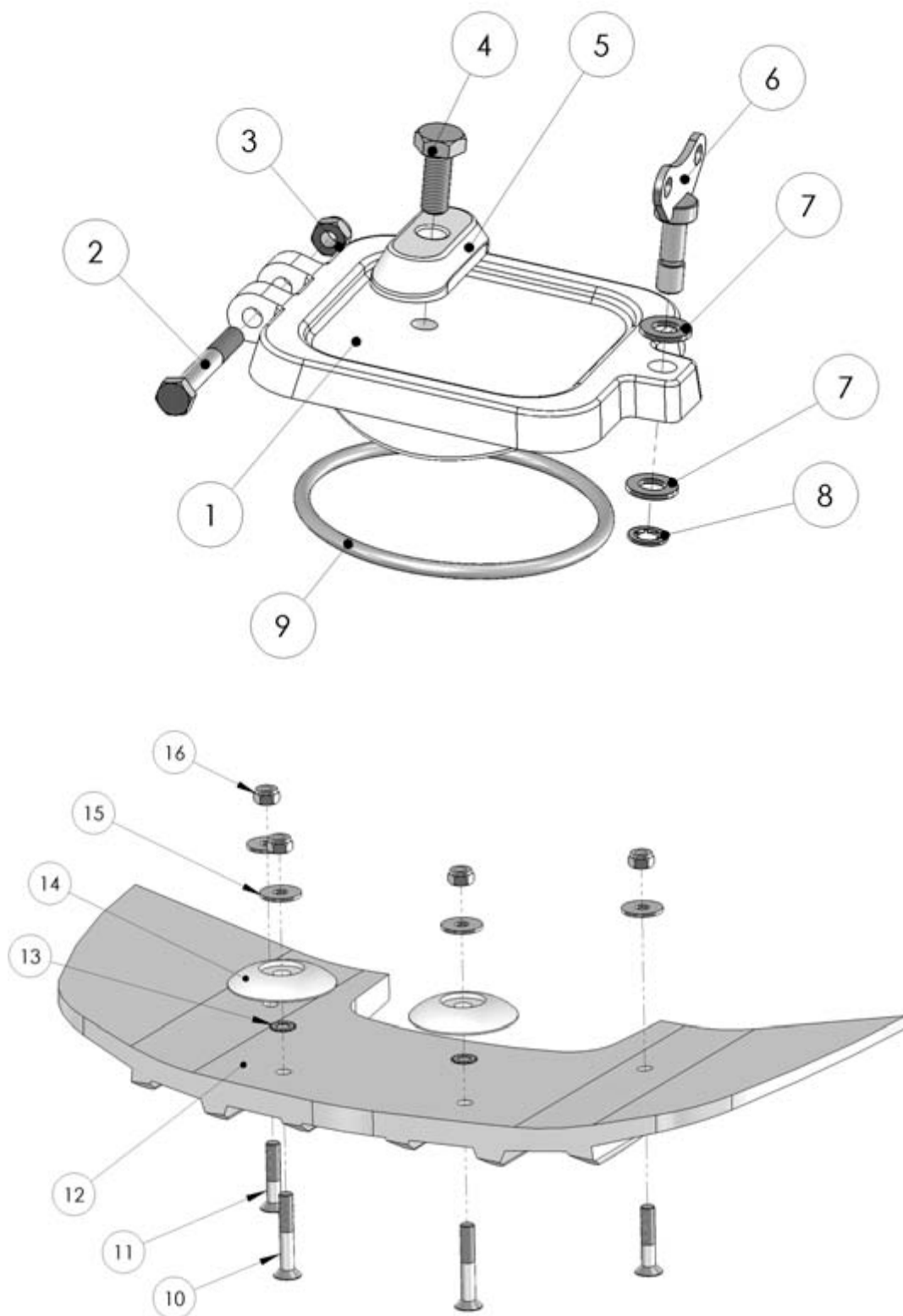
## 1. Main structure

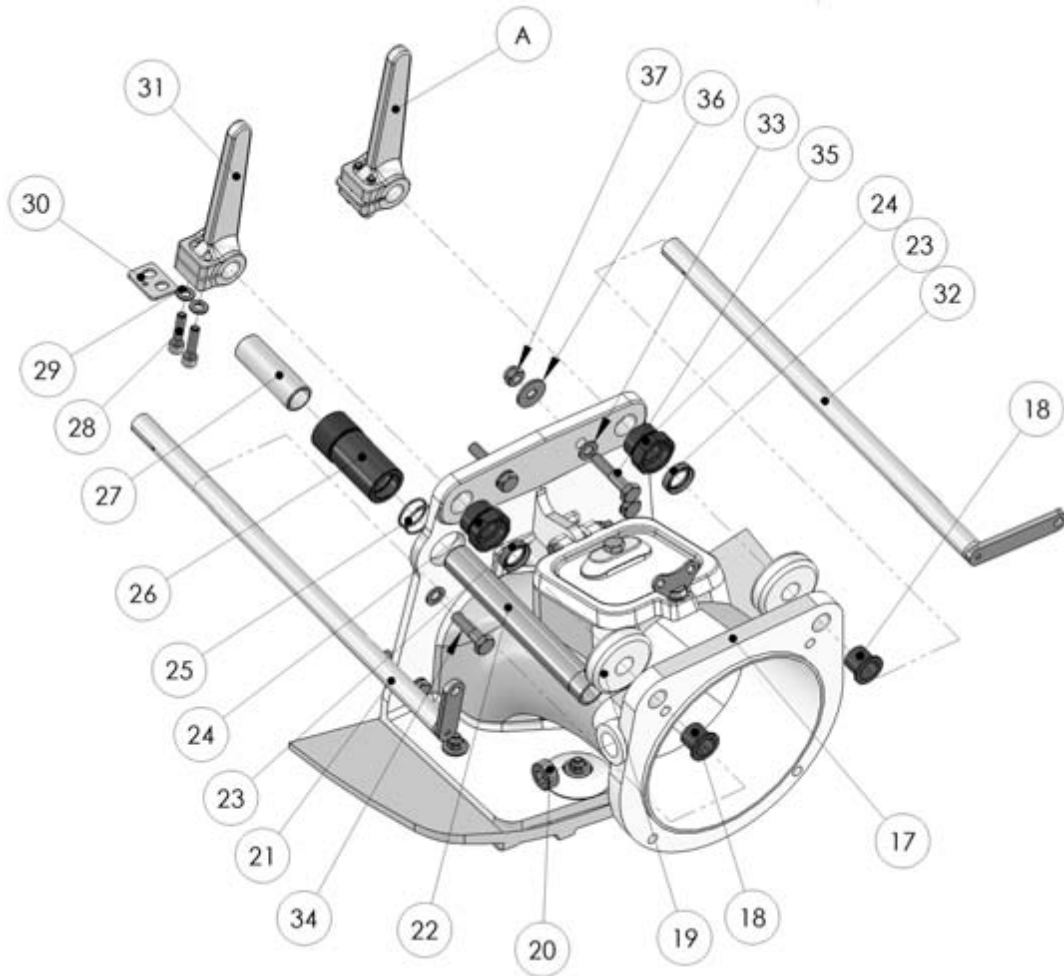


160A	Frame	160F	Steering nozzle
160C	Bearing and main shaft	160GK	Reversing deflector
160D	Impeller	A	Grass rake
160E	Stator	B	Coupling flange



## 2. 160A Frame



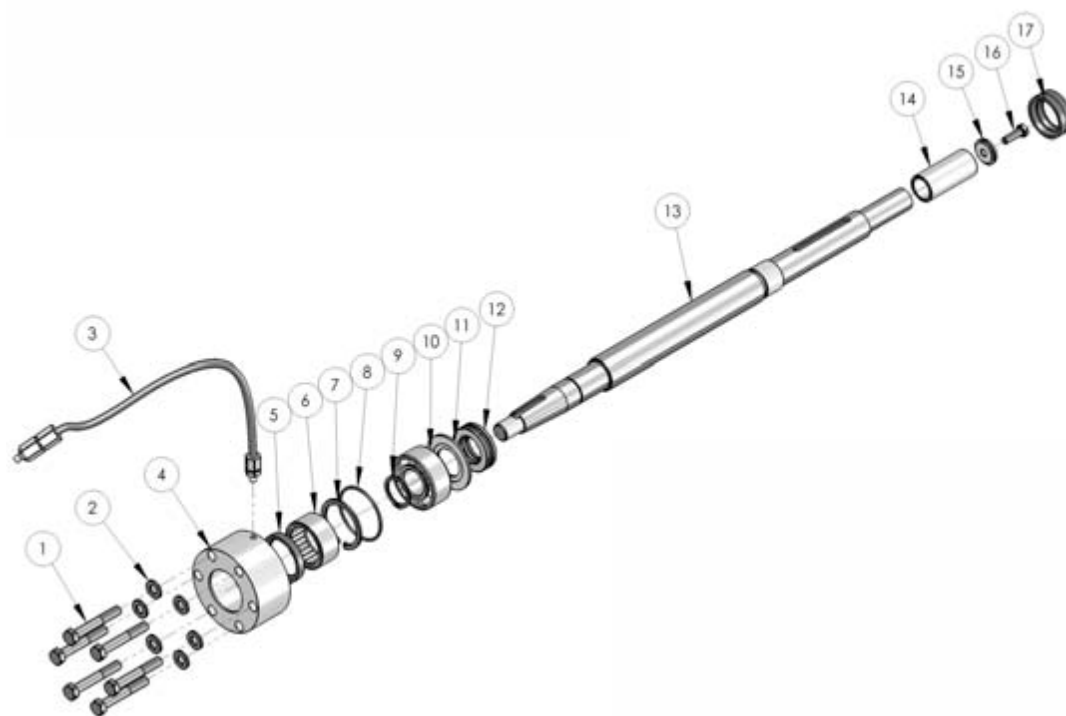


Pos.	Description	Code	Pcs
1	Inspection hatch	10158	1
2	Hex screw M8	R04080602-1	1
3	Locking nut M8	R31080002	1
4	Hex screw M10	R04100252	1
5	Anode	10053	1
6	Wing screw	10089	1
7	Washer M10	R10100002	2
8	Locking plate	L0403	1
9	O-ring	T0000100	1
10	Hex socket countersunk screw M8	R02080502	2
11	Hex socket countersunk screw M8	R02080402	2
12	Cavitation Plate	10163	1
13	SL washer M8	R12080002	2
14	Anode	10054	2
15	LOD washer M8	R11080002	4
16	Locking nut M8	R31080002	4
17	Frame	10172	1

<b>Pos.</b>	<b>Description</b>	<b>Code</b>	<b>Pcs</b>
18	Compound bearing	H0403	2
19	Shaft anode	K0538	2
20	Plug	R50340002	1
21	Steering shaft	10178	1
22	Raw water pipe	10135	1
23	Shaft seal	T9900021	2
24	Bushing	10110	2
25	O-ring	T0000027	2
26	Bushing	10033	1
27	Raw water fitting	10095	1
28	Hex socket screw M8	R01080352	4
29	Washer M8	R10080002	4
30	Key	10168	2
31	Control lever	10166	2
32	Control shaft	10177	1
33	Washer M10	R10100002	8
34	Hex screw M10	R04100402	2
35	Hex screw M10	R04100502	4
36	LOD washer M10	R11100002	6
37	Locking nut M10	R31100002	6



### 3. 160C Bearing and main shaft

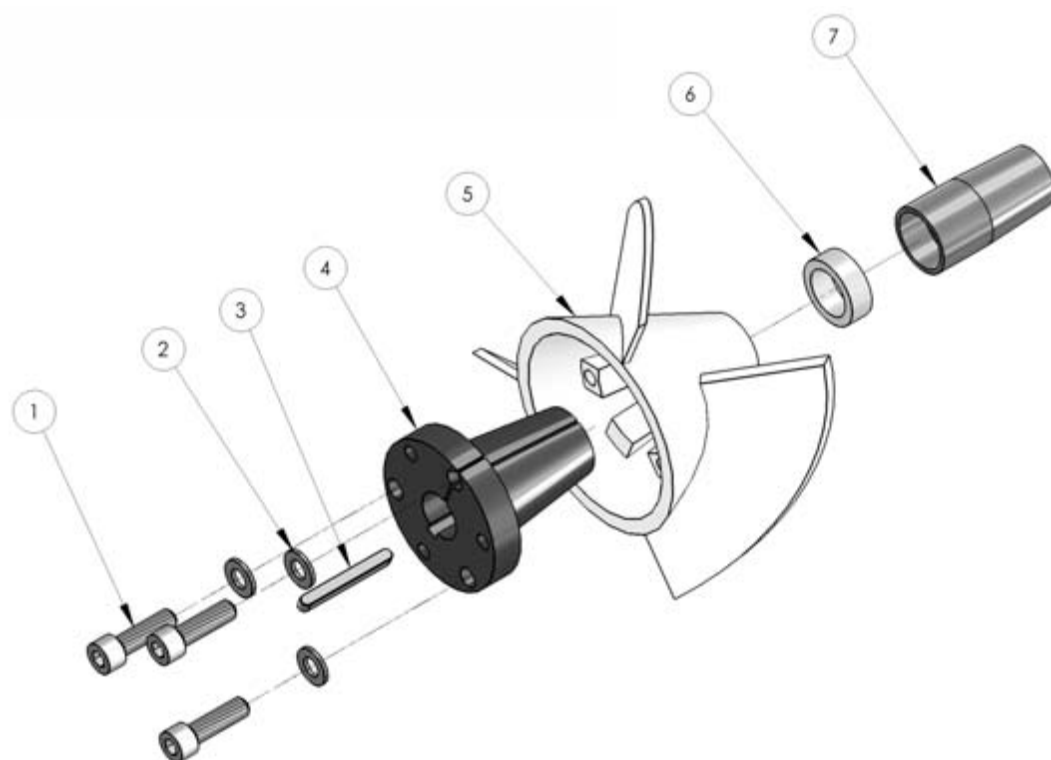


Pos.	Description	Code	Pcs
1	Hex screw M8	R0408552-1	6
2	Washer M8	R10080002	6
3	Grease hose	P9901	1
4	Bearing housing	10181	1
5	Shaft seal	T9900031	1
6	Needle roller bearing	L0140	1
7	Retaining ring	L0452	1
8	O-ring	T0000041	1
9	Retaining ring	L0402	1
10	Bearing	L0121	1
11	Spacer	10183	1
12	Bearing	L0150	1
13	Shaft	10180	1
14	Sleeve	10016	1
15	Locking plate	10017	1
16	Hex screw M6	R04060202	1
17	Shaft seal	T9900030	2





## 4. 160D Impeller



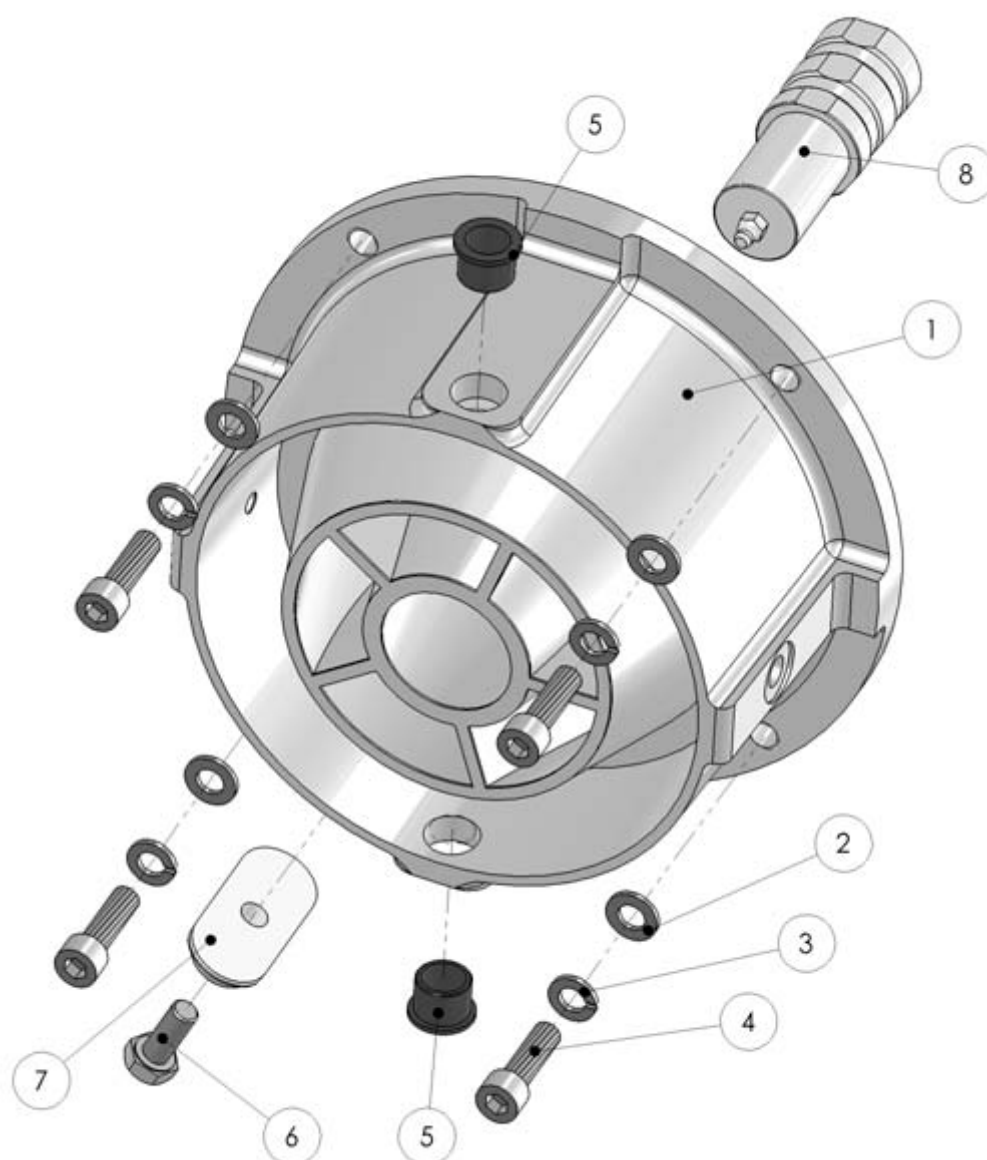
Pos.	Description	Code	Pcs
1	Hex socket screw M10	R01100352	3
2	Washer M10	R10100002	3
3	Key	K0203	1
4	Impeller mounting cone	10169	1
5	Impeller	*	1
6	Adjuster sleeve extension	10170	1
7	Adjuster sleeve	10081	1

\*Product code is dependent on impeller type

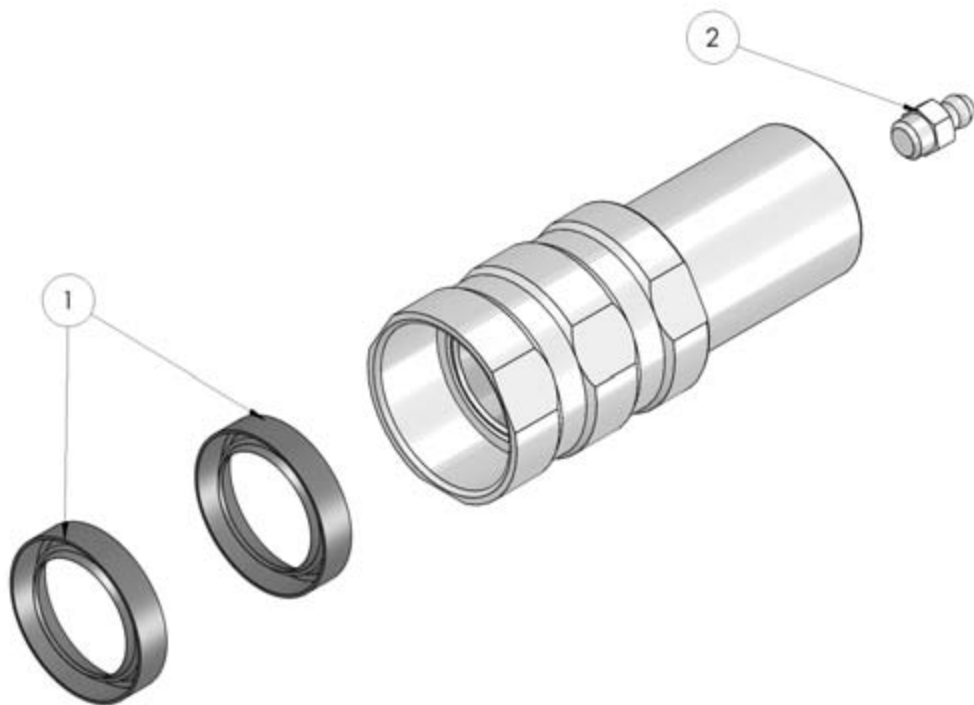
Type	Code
160-5"	1204
160	1205



## 5. 160E Stator

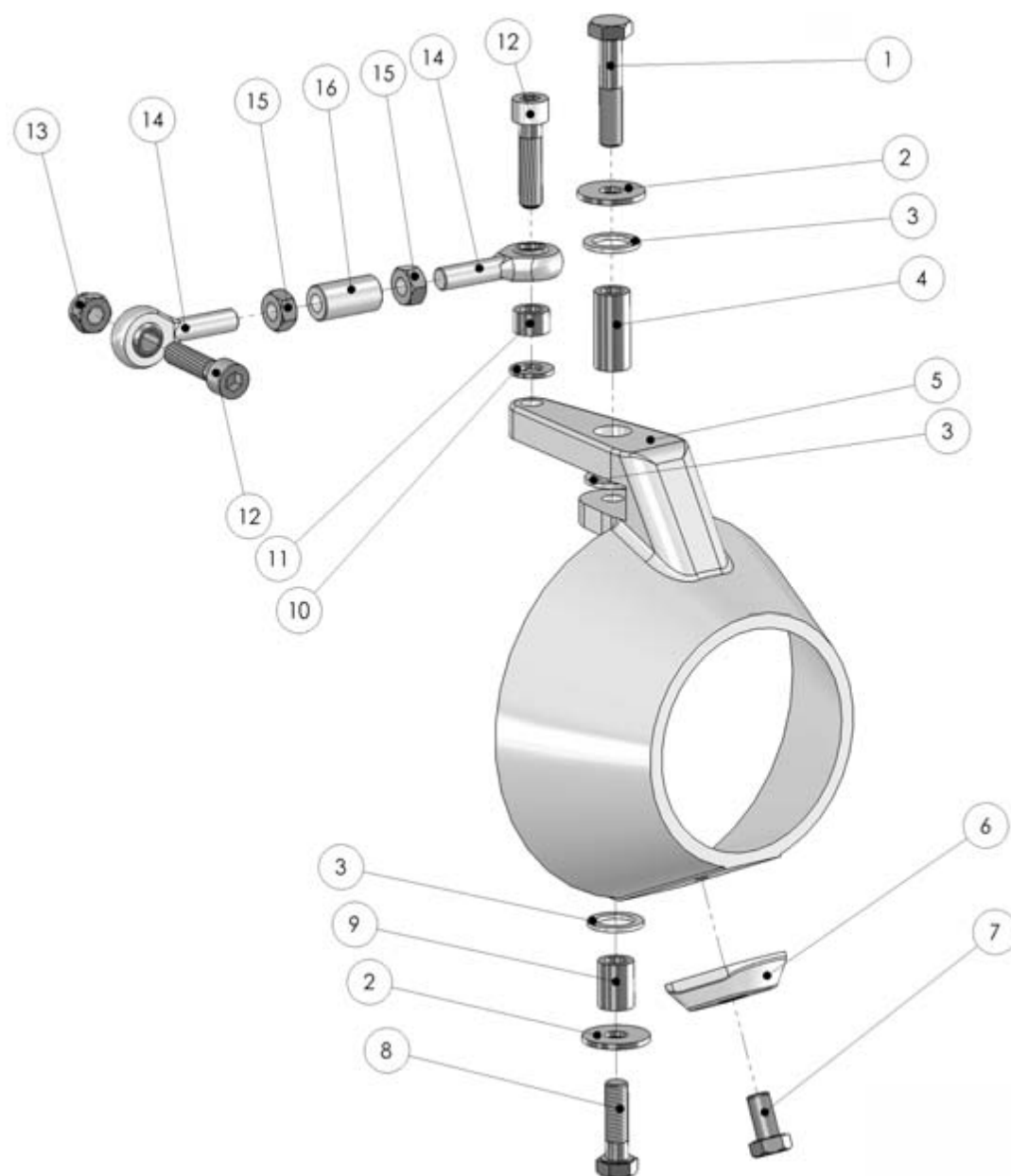


Pos.	Description	Code	Pcs
1	Stator	10184	1
2	Washer M10	R10100002	4
3	Spring washer M10	R13100002	4
4	Hex socket screw M10	R01100352	4
5	Compound bearing	H0401	2
6	Hex screw M10	R04100252	1
7	Anode	10053	1
8	Rear bearing housing	10161	1

**5.1. 10161 Rear bearing housing**

<b>Pos.</b>	<b>Description</b>	<b>Code</b>	<b>Pcs</b>
1	Shaft seal	T9900020	2
2	Grease nipple	P0402	1

## 6. 160F Steering nozzle

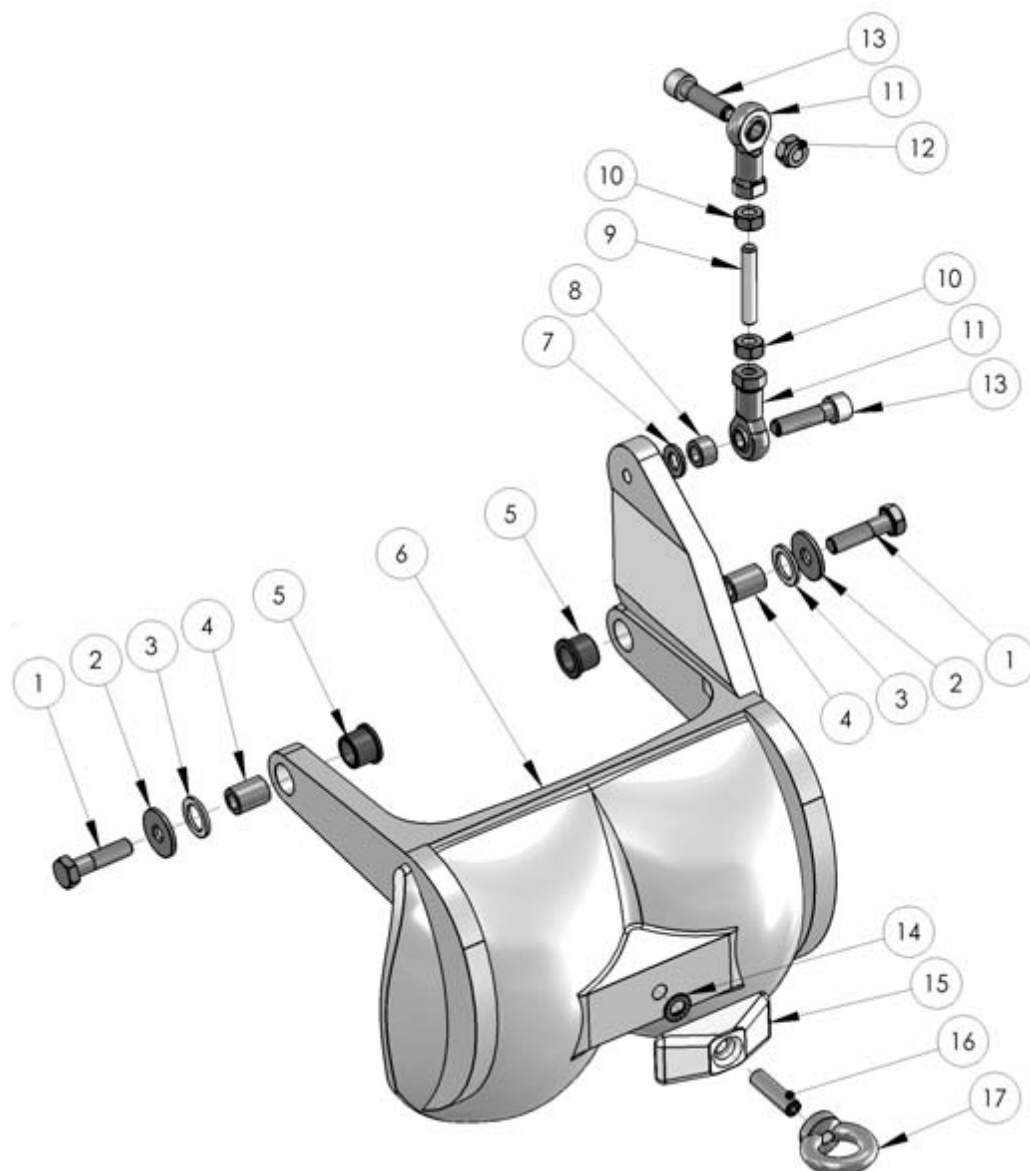


Pos.	Description	Code	Pcs
1	Hex screw M10	R04100502	1
2	LOD washer M10	R11100002	2
3	Plastic spacer	H0301	3
4	Sleeve	10028	1
5	Steering nozzle	10185	1
6	Anode	10053	1
7	Hex screw M10	R04100202	1
8	Hex screw M10	R04100352	1
9	Sleeve	10026	1
10	Washer M10	R10100002	1
11	Sleeve	10025	1

---

<b>Pos.</b>	<b>Description</b>	<b>Code</b>	<b>Pcs</b>
12	Hex socket screw M10	R01100402	2
13	Locking nut M10	R31100002	1
14	Rodbal joint	RM10SEJR316	2
15	Nut M10	R30100002	2
16	Sleeve	10143	1

## 7. 160GK Reversing deflector



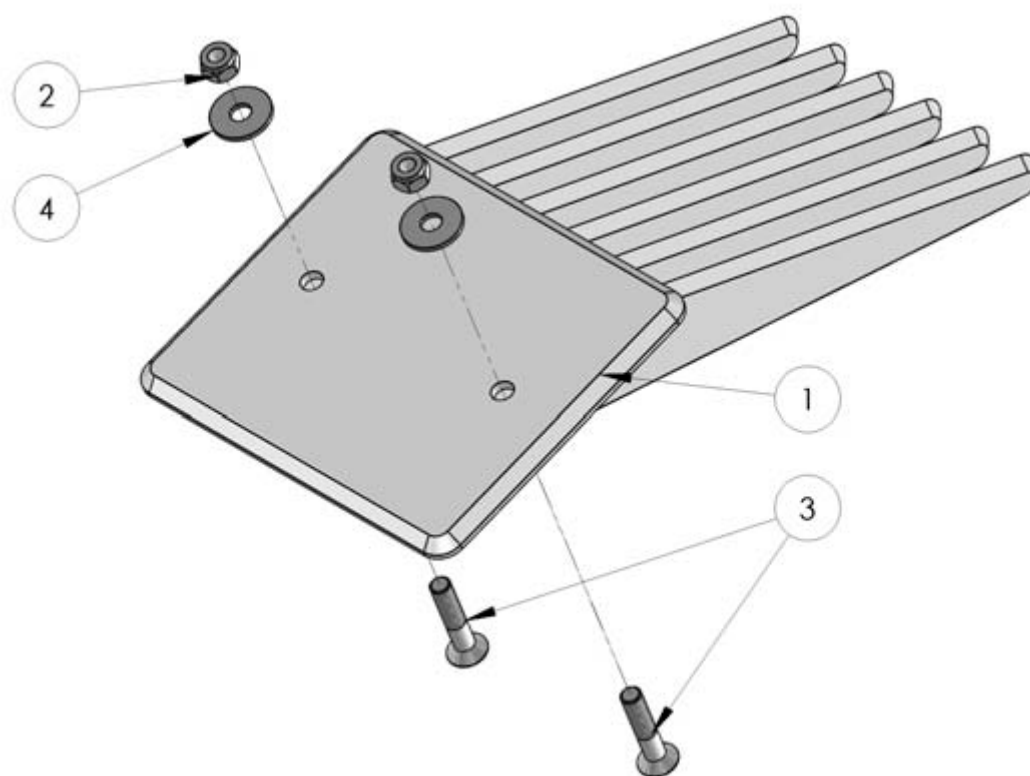
Pos.	Description	Code	Pcs
1	Hex screw M10	R04100402	2
2	LOD washer M10	R11100002	2
3	Plastic spacer	H0301	2
4	Sleeve	10026	2
5	Compound bearing	H0401	2
6	Reversing deflector	10186	1
7	Washer M10	R10100002	1
8	Sleeve	10025	1
9	Set screw M10	R05100502	1
10	Nut M10	R30100002	2
11	Rodobal joint	RF10SEJR316	2
12	Locking nut M10	R31100002	1

---

<b>Pos.</b>	<b>Description</b>	<b>Code</b>	<b>Pcs</b>
13	Hex socket screw M10	R01100402	2
14	SL washer M10	R12100002	1
15	Anode	10053	1
16	Set screw M10	R05100402	1
17	Lifting loop	R60100002	1



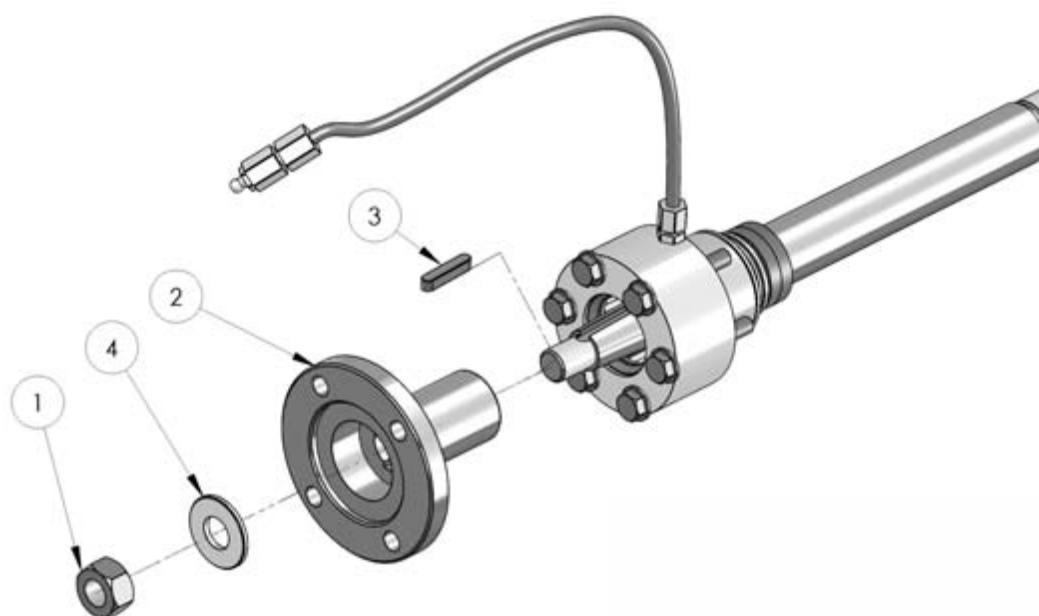
## 8. (A) Grass rake



<b>Pos.</b>	<b>Description</b>	<b>Code</b>	<b>Pcs</b>
1	Grass rake	10190	1
2	Locking nut M8	R31080002	2
3	Hex socket countersunk screw M8	R02080402	2
4	LOD washer M8	R11080002	2



## 9. (B) Coupling flange



Pos.	Description	Code	Pcs
1	Nut M16	R30160002	1
2	Coupling flange	*	1
3	Key	K0201	1
4	Washer	10094	1

\*Product code is dependent on the intermediate shaft flange.

**Table 1. Most commonly used coupling flange types**

Description	Code	Intermediate shaft
SAE-1310	10165	Cardan shaft
CV-joint 10	10335	CV-joint 10 type 1
CV-joint 10	10191	CV-joint 10 type 2

Other intermediate shaft types can also be used, but then an adapter flange must be installed.

